

**INQUIRY**  
 **ORDER**  
**Sautter Lift Components**

**GmbH**

Remsstrasse 2

70806 Kornwestheim, Deutschland

Phone.:+49 – (0) 07154 - 9996-0

Fax:+49 – (0) 07154 – 9996-501

Email: [sales@slc-liftco.com](mailto:sales@slc-liftco.com)

Order no.:

Customer:

Delivery address:

Cust. Order no.:

Site Reference.:

Comm. no.:

Contact Person:

Date:

Required date:

**PROGRESSIVE SAFETY GEAR SG**

Quantity:

**Braking downwards:**

**SG1D-1**

**Braking up-/downwards**

**SG2D-1 Variante 1**

**SG2D-1 Variante 2**

**Miscellaneous:**

Please specify additional components. For special requests please use the field "Miscellaneous"

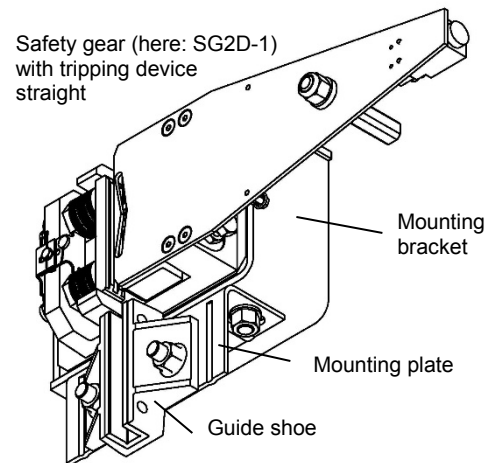
**1. Technical Data**

Rated speed  $v_n$ : \_\_\_\_\_ m/s  
 Rated load Q: \_\_\_\_\_ kg  
 Car weight P: \_\_\_\_\_ kg (ink. Cabin weight)  
 Compens. rope weight CR: \_\_\_\_\_ kg  
 Mass counterweight CTW: \_\_\_\_\_ kg  
 Guide rail head thickness:  9mm  16mm  
 \_\_\_\_\_ mm (> 5mm -16mm)  
 Alternative P+Q for SG1D-1 \_\_\_\_\_ kg

Production method rail:  machined  cold drawn  
 Surface of the rail:  dry  oiled

Mounting  mounting at lower traverse  
 mounting at upper traverse

Mounting of the rail  against shaftwall (Rucksack-lift)  
 (The rail head points ...)  into the shaft (Standard, rail mounted at wall)



**2. Options and additional components**

safety gear shaft, straight  
 DBG: \_\_\_\_\_ mm

2 mounting brackets  
 with fastening parts

neutral position

mounting parts for mounting plate thickness:  
 5mm (max. Load 1600kg)  6 mm  8 mm  10 mm  \_\_\_\_\_ mm

tripping device straight  
 tripping device short plate

PU OSG rope  6,5  8,0 mm

PU lubricator  
 PU guide shoes (2 pieces)

roller switch (with locking)  
 roller switch (without locking)  
 roller switch EX (without locking)

cable loop  5m  8m