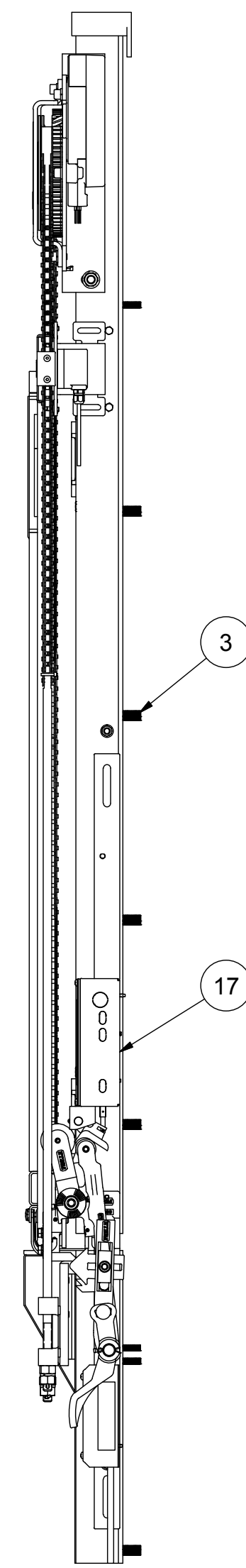
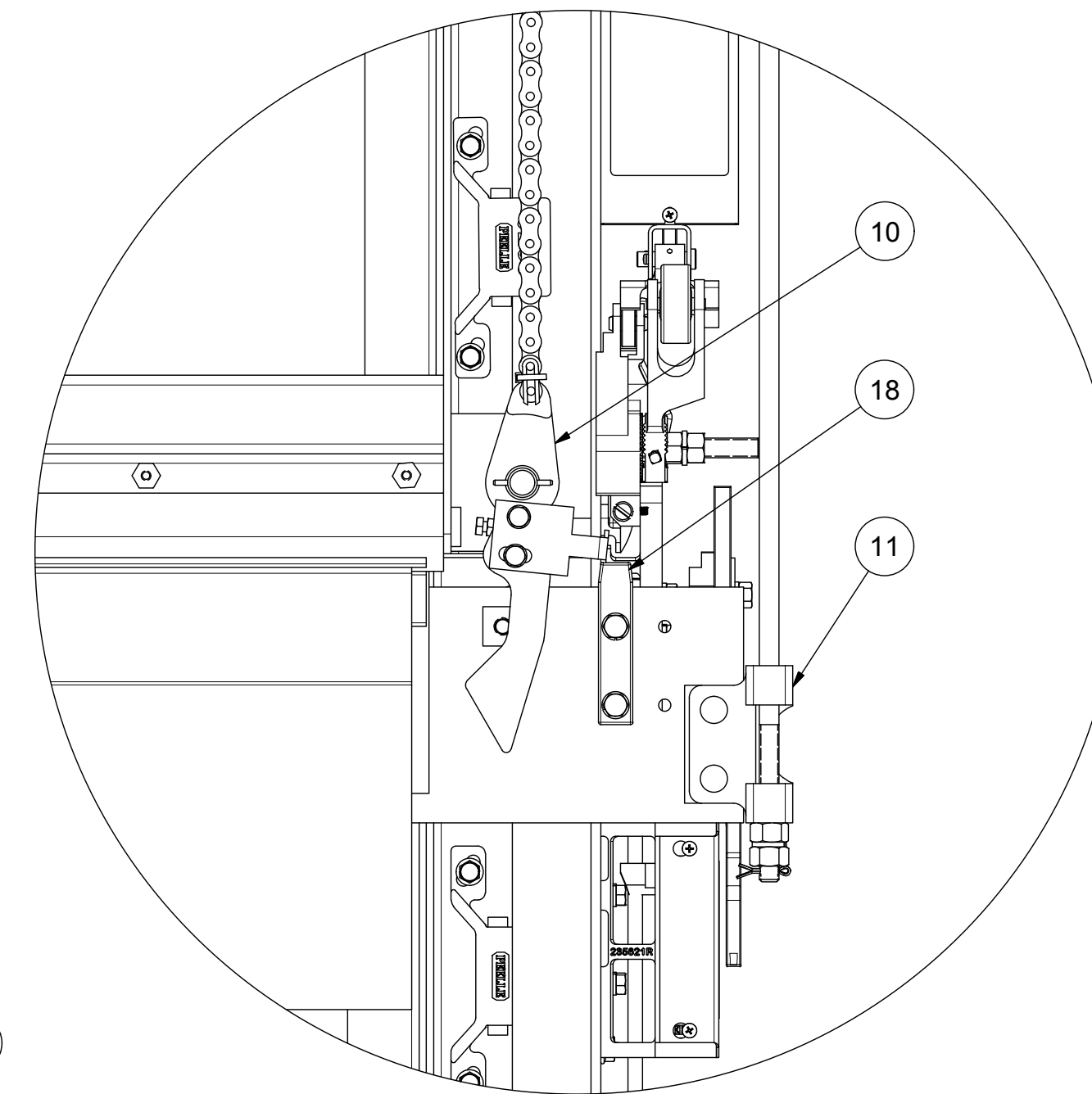
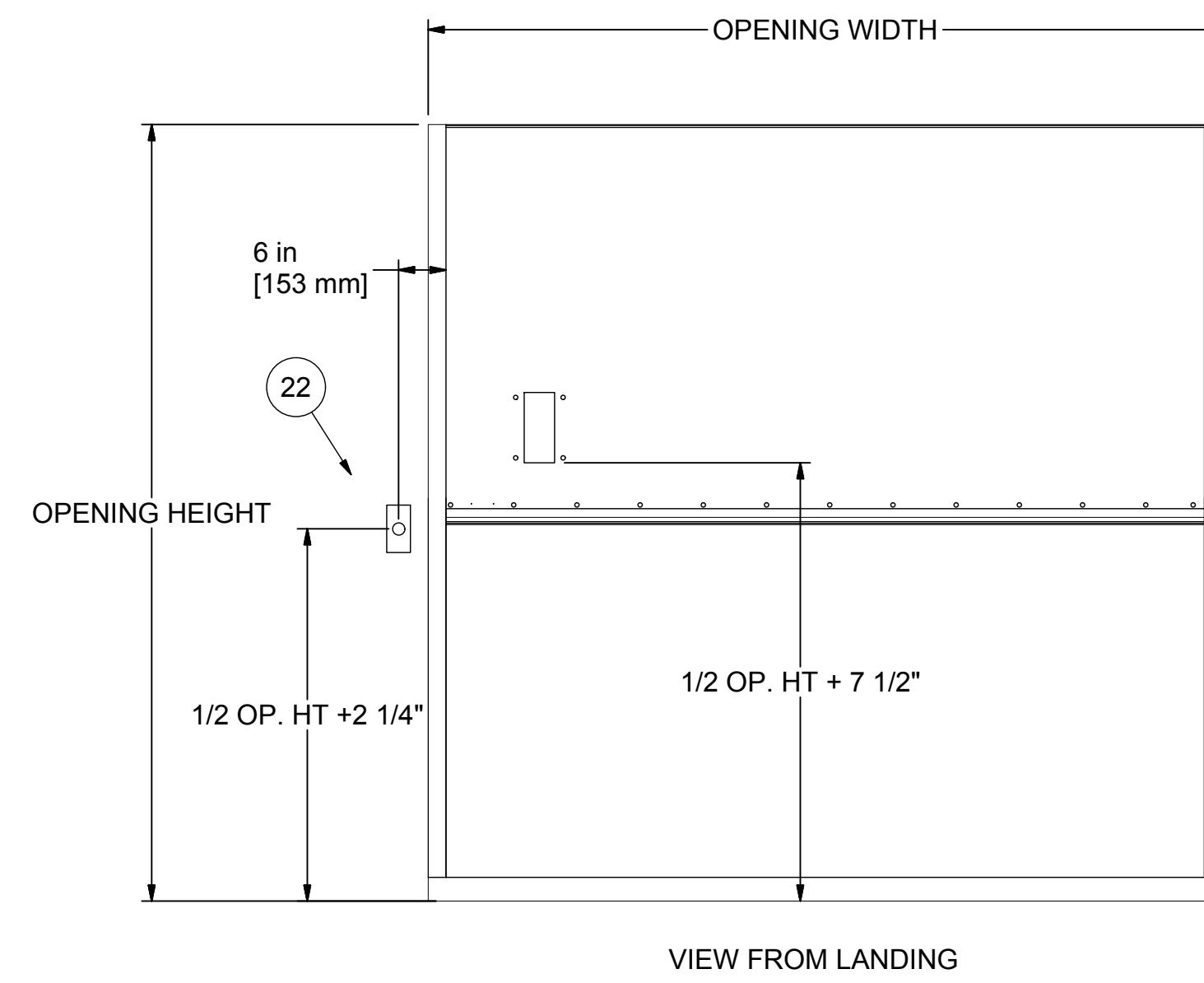


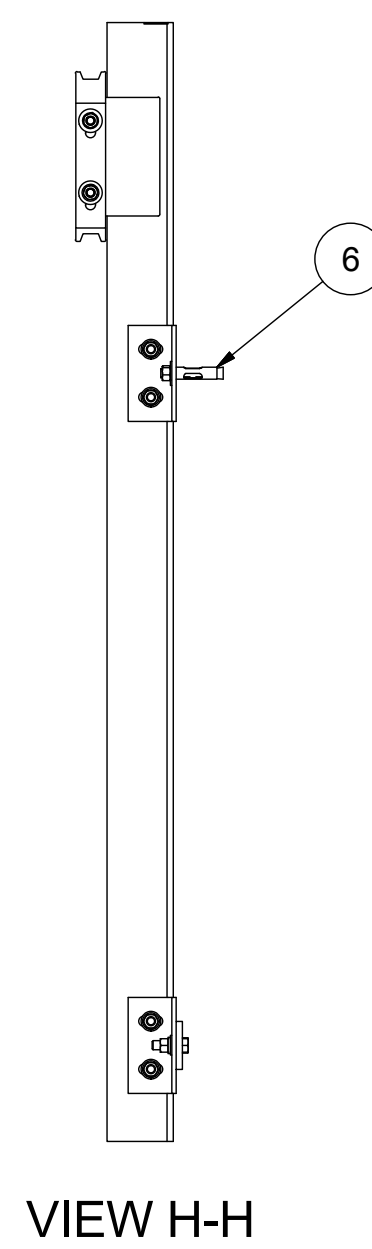
DETAIL E



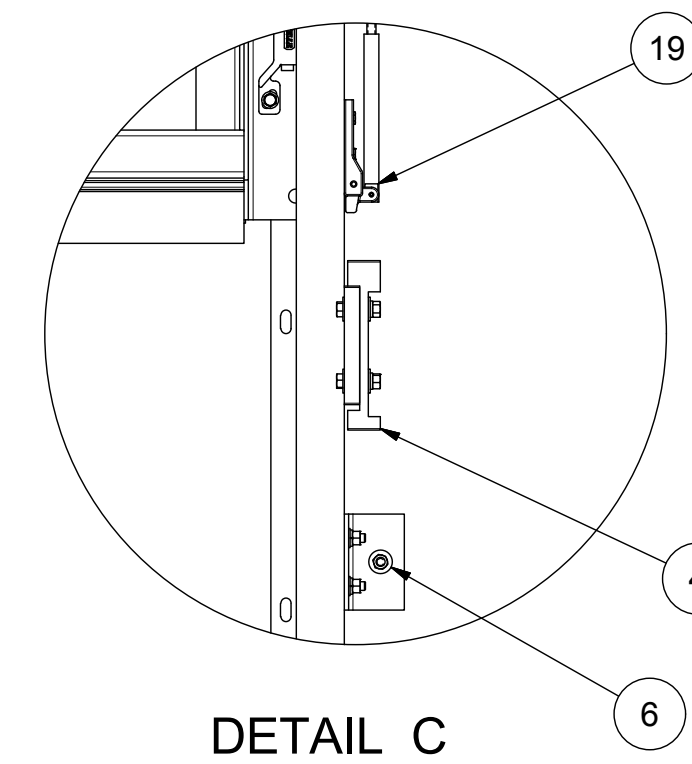
VIEW A-A



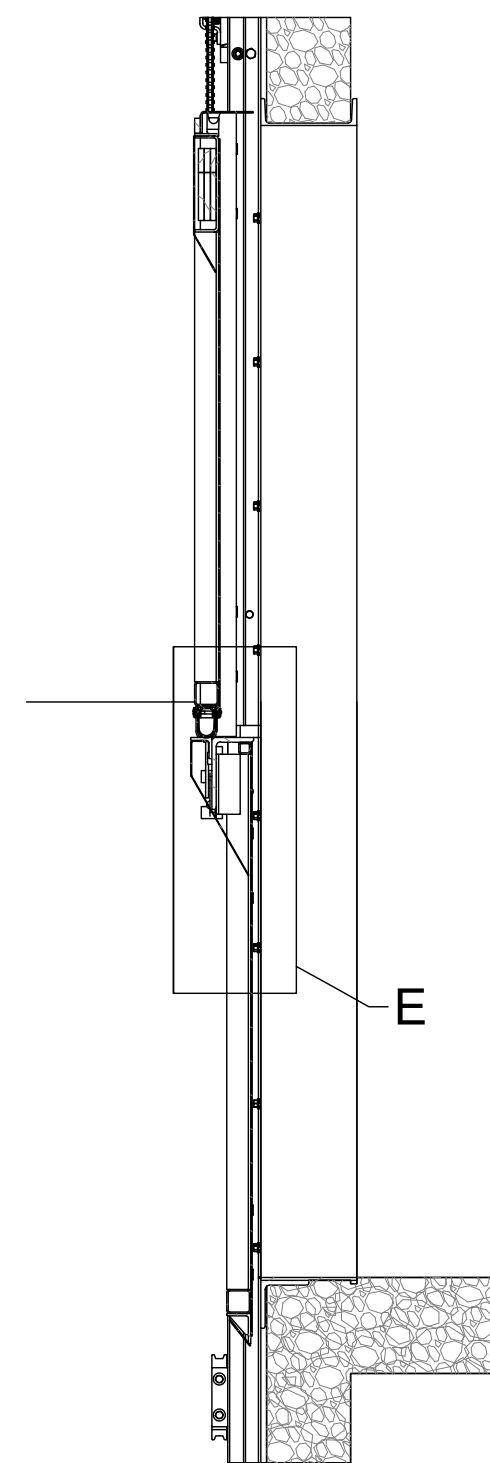
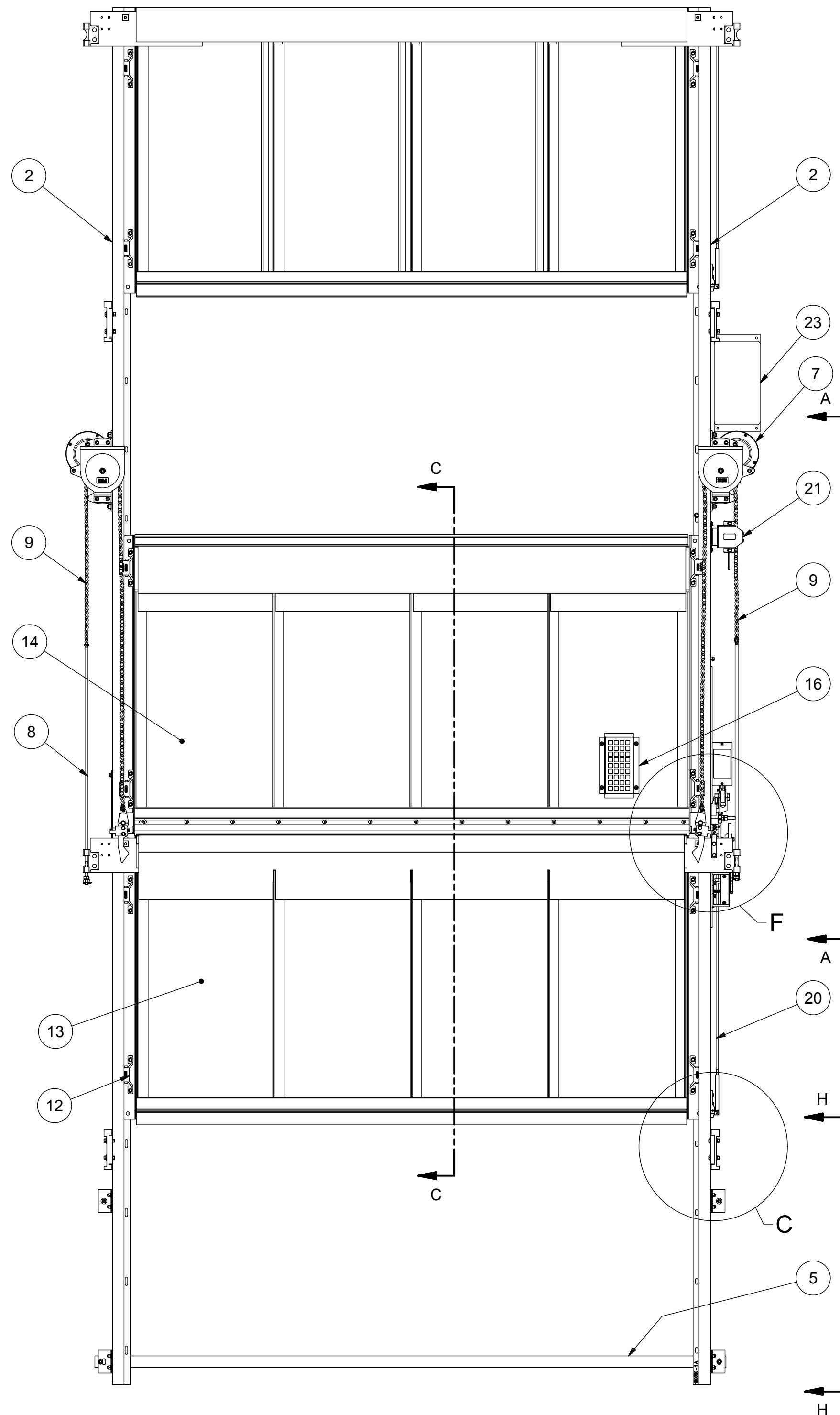
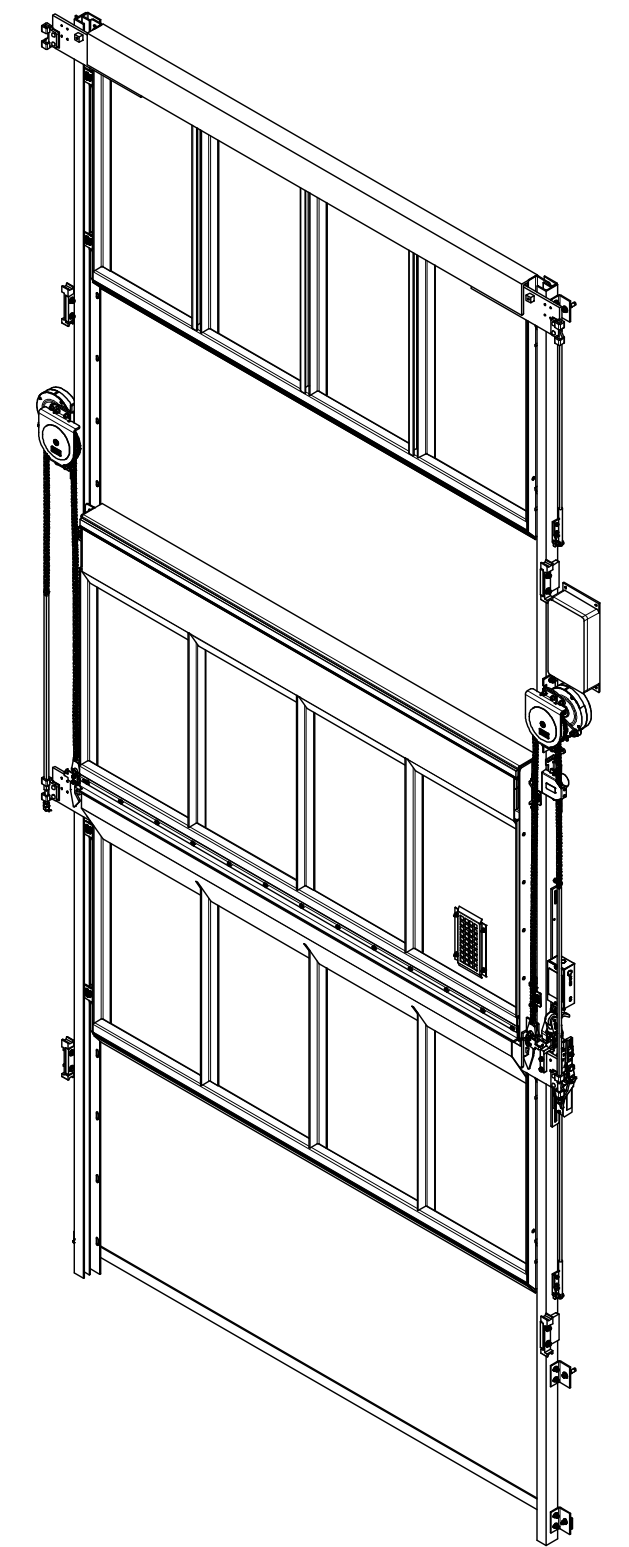
DETAIL F



VIEW H-H



DETAIL C



SECTION D-D

23	1	WIRELESS FRIGHT DOOR CONTROLLER
22	1	UNLOCKING DEVICE ASSY
21	1	POSITION ENCODER ASSY
20	2	PLUG ROD
19	2	PLUG PROOF TRIGGER
18	1	INTERLOCK RATCHET
17	1	INTERLOCK (RH SHOWN)
16	1	VISION PANEL ASSY
15	1	DOOR ASTRAGAL ASSY
14	1	UPPER PANEL ASSY
13	1	LOWER PANEL
12	1	GUID SHOE ASSY: -(4) PER PANEL
11	2	ROD CLIP
10	1	TENTION LATCH ASSY: (1)RH (1)LH
9	2	DOOR CHAIN
8	2	CHAIN ROD
7	1	DOOR OPERATOR ASSY: (1)RH (1)LH
6	6	ANCHOR BOLT
5	1	SPREADER
4	4	ADJUSTABLE DOOR STOP ASSY
3	20	SELF TAPING RAIL BOLT
2	1	DOOR RAIL ASSY: (1)RH (1)LH
1	1	DOOR GAUGE ROD TOOL
ITEM	QTY	DESCRIPTION

PEELLE

VERTICAL BI-PARTING LANDING DOOR REGULAR PASS TYPE-DESIGN		FINISH	
MAX WIDTH:		REV	SCALE
MAX CAPACITY:			NTS
MM/DD/YY	09/05/2017	DRAWING	SHEET
DRAWN BY	svaghasiya	770340	1 OF 1