



EU TYPE-EXAMINATION CERTIFICATE

According to Annex IV, Part A of 2014/33/EU Directive

Certificate No.:	EU-SG 513
Certification Body of the Notified Body:	TÜV SÜD Industrie Service GmbH Westendstr. 199 80686 Munich – Germany Identification No. 0036
Certificate Holder:	Sautter Lift Components GmbH Remsstrasse 2 70806 Kornwestheim – Germany
Manufacturer of the Test Sample: (Manufacturer of Serial Production – see Enclosure)	Sautter Lift Components GmbH Remsstrasse 2 70806 Kornwestheim – Germany
Product:	Instantaneous safety gear
Type:	RF 0001
Directive:	2014/33/EU
Reference Standards:	EN 81-20:2014 EN 81-50:2014
Test Report:	EU-SG 513 of 2019-02-21
Outcome:	The safety component conforms to the essential health and safety requirements of the mentioned Directive as long as the requirements of the annex of this certificate are kept.
Date of Issue:	2019-02-21


Achim Janocha

Certification Body "lifts and cranes"



Annex to the EU Type-Examination Certificate No. EU-SG 513 of 2019-02-21



Industrie Service

1 Scope of application

1.1 Generally

Following application possibility refer to a brand new pair of safety gear.

Minimum running surface width of guide rails	28 mm
Blade width of guide rails	16 mm
Maximum rated speed car	0.63 m/s
Maximum tripping speed overspeed governor	
Car	1.00 m/s
Counterweight	1.65 m/s

1.2 Permissible total mass of car and rated load depending on maximum tripping speed

Tripping speed [m/s]	Maximum total mass [kg]
0.50	8891
0.60	8555
0.70	8189
0.80	7804
0.90	7409
1.00	7012
1.10	6621
1.20	6239
1.32	5803
1.65	4724

2 Terms and Conditions

- 2.1 In order to provide identification and information about the basic design and its functioning and to show the environmental conditions and connection requirements pertaining to the tested and approved type drawing 107060042 including stamp dated 2019-02-21 is to be enclosed with the EU type-examination certificate and the annex thereto.
- 2.2 The EU type-examination certificate may only be used in combination with the corresponding annex and enclosure (List of authorized manufacturers of the serial production). The enclosure will be updated immediately after any change by the certification holder.

3 Remarks

- 3.1 The test covers the safety gear and the safety gear elements (rollers) and did not include either the connection between the individual safety gear elements (safety gear rods) or the actuation of the electric safety device.
- 3.2 The instantaneous safety gear can also be used to a counterweight in compliance with the permissible total mass according table 1.2 of this certificate till permissible tripping speed.
- 3.3 Examination of compliance with other requirements according standard, reduction of braking effect due to wear-and-tear or alterations to the installation due to the installation's operation such as alterations to the running surfaces of the guide rails, are not part of this type-examination.
- 3.4 This EU type-examination certificate was issued according to the following standards:
- EN 81-1:1998 + A3:2009 (D), Annex F.3
 - EN 81-2:1998 + A3:2009 (D), Annex F.3
 - EN 81-20:2014 (D), part 5.6.2.1.1.2
 - EN 81-50:2014 (D), part 5.3

A revision of this EU type-examination certificate is inevitable in case of changes or additions of the above mentioned standards or of changes of state of the art.

**Enclosure to the EU Type-Examination Certificate
No. EU-SG 513 of 2019-02-21**



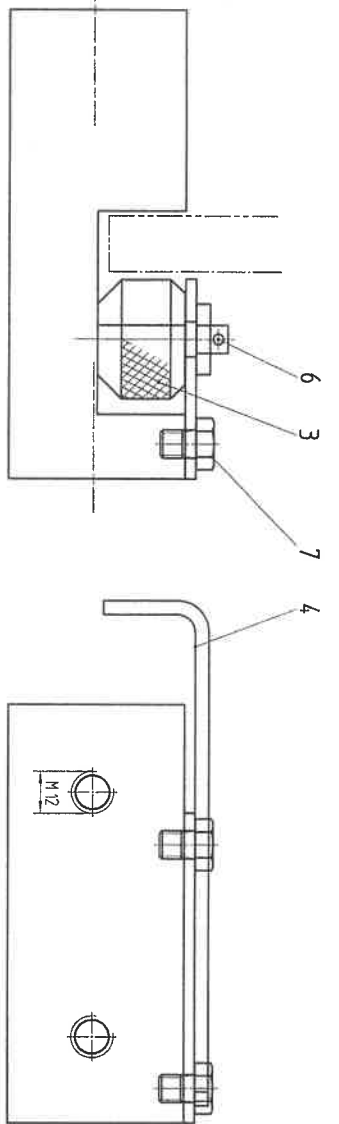
Industrie Service

Authorised Manufacturer of Serial Production – Production Sites (valid from: 2018-12-28):

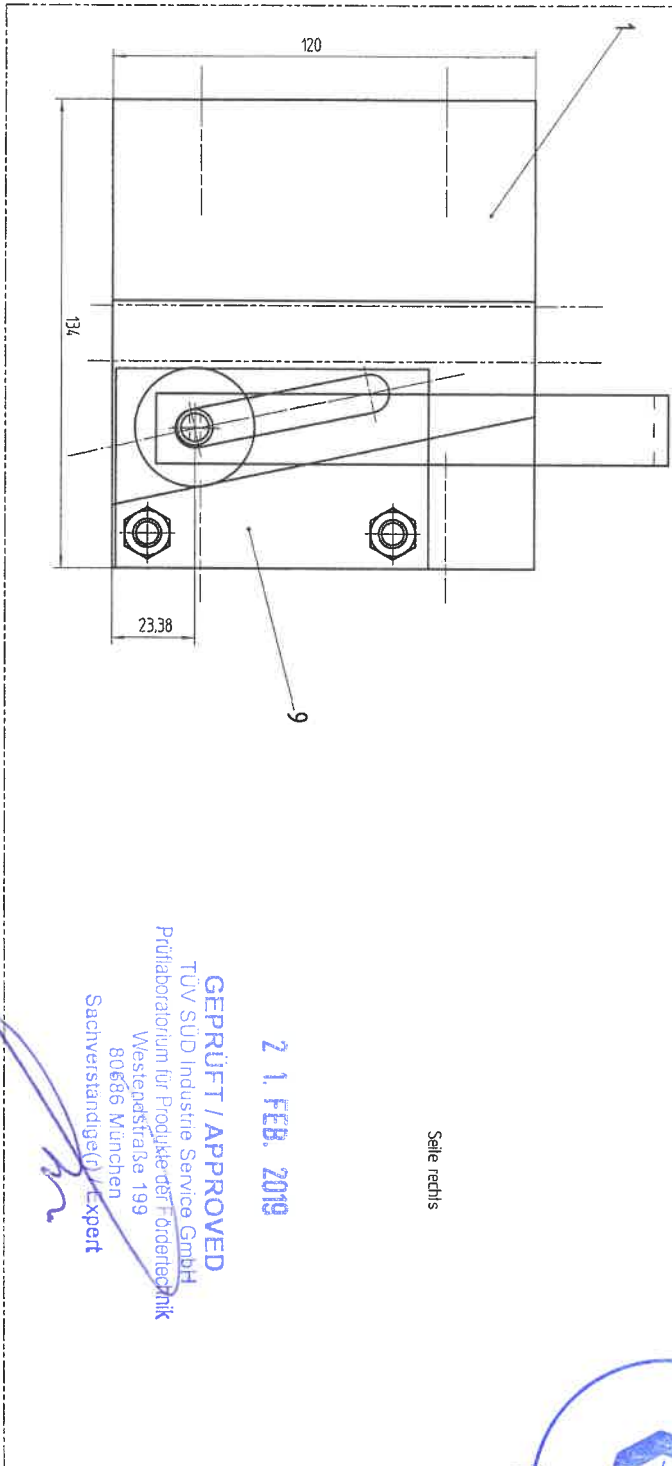
Company Sautter Lift Components GmbH
Address Remsstrasse 2
70806 Kornwestheim – Germany

Company SLC - AS Asansör Güvenlik Ekipmanlari A.Ş.
Address Fatih Mah. 1191 Sokak 12
Sarıç - Gazıemir
35414 Izmir – Turkey

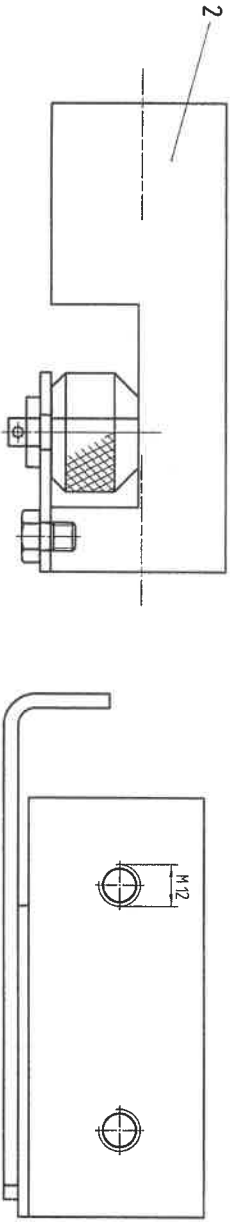
– END OF DOCUMENT –



Seite rechts



Seite links



GEPRÜFT / APPROVED
 TÜV SÜD Industrie Service GmbH
 Prüflaboratorium für Produkte der Fertigtechnik
 Westendstraße 199
 80686 München
 Sachverständige(r) / Expert

2. FEB. 2019

Schulpreiswerk zeichn EM 5/1, Kuchthal		Prüfnummer ISO 2769-akt		Maßstab 1:1		Hersteller	
Zeichnung Datum Name	Bearb. 6.03.97	Datum 19.1.03	Name rechner	Bewertung		ROLLENPERFANGVORRICHTUNG	
107/060042	138.998	19.1.03	19.1.03	107/060042		Blattanzahl / Zeichnung Nr. 107/060042	
SLC		107/060042					