

INQUIRY

ORDER

Sautter Lift Components

GmbH

Remsstrasse 2

70806 Kornwestheim, Deutschland

Phone.:+49 – (0) 07154 - 9996-0

Fax:+49 – (0) 07154 – 9996-501

Email: sales@slc-liftco.com

Order no.:

Customer:

Delivery address:

Cust. Order no.:

Site Reference.:

Comm. no.:

Contact Person:

Date:

Required date:

PROGRESSIVE SAFETY GEAR SG

Quantity:

Braking downwards:

SG1D-1

Braking up-/downwards

SG2D-1 Variante 1

SG2D-1 Variante 2

Miscellaneous:

Please specify additional components. For special requests please use the field "Miscellaneous"

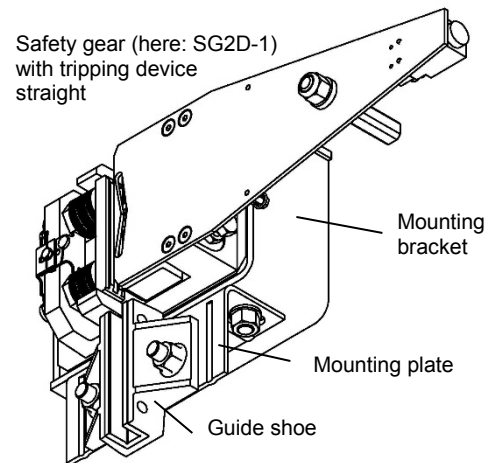
1. Technical Data

Rated speed v_n : _____ m/s
 Rated load Q: _____ kg
 Car weight P: _____ kg (inkl. Cabin weight)
 Compens. rope weight CR: _____ kg
 Mass counterweight CTW: _____ kg
 Guide rail head thickness: 9mm 16mm
 _____ mm (> 5mm -16mm)
 Alternative P+Q for SG1D-1 _____ kg

Production method rail: machined cold drawn
 Surface of the rail: dry oiled

Mounting mounting at lower traverse
 mounting at upper traverse

Mounting of the rail against shaftwall (Rucksack-lift, cantilever)
 (The rail head points ...) into the shaft (Standard, rail mounted at wall)



2. Options and additional components

safety gear shaft, straight
 DBG: _____ mm

2 mounting brackets
 with fastening parts

neutral position

mounting parts for mounting plate thickness:
 5mm (max. Load 1600kg) 6 mm 8 mm 10 mm _____ mm

tripping device straight
 tripping device short plate

PU OSG rope 6,5 8,0 mm

PU lubricator
 PU guide shoes (2 pieces)

roller switch (with locking)
 roller switch (without locking)
 roller switch EX (without locking)

cable loop 5m 8m